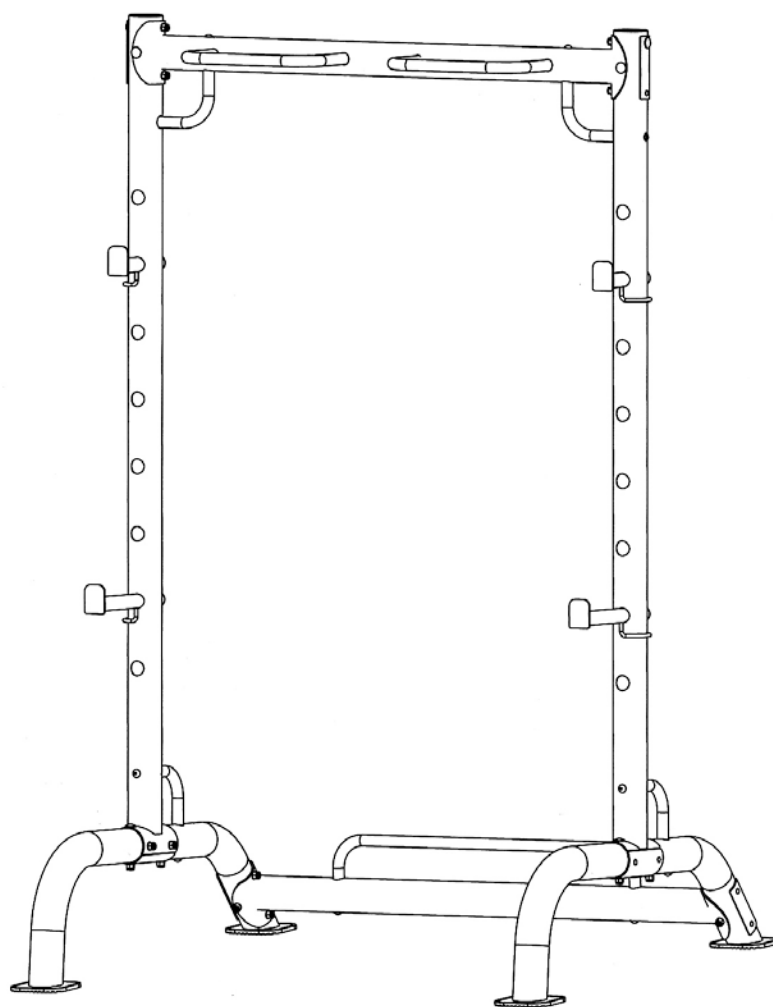


MARCY[®]

POWER RACK

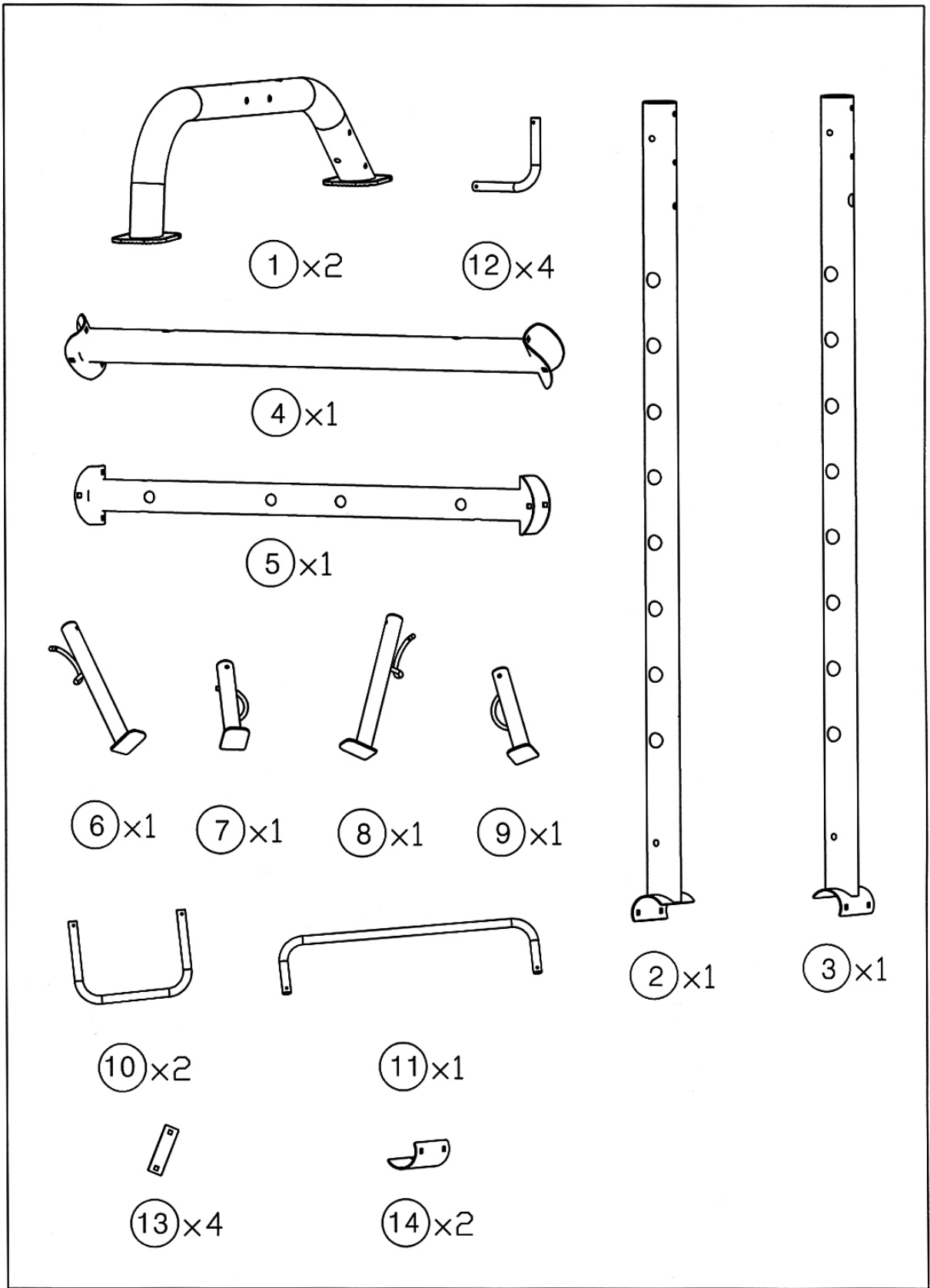
MWB-70500

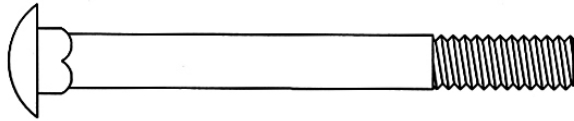


IMPORTANT: Please read the Important Safety Notice and Assembly Information in the Owner's manual before assembling this product.

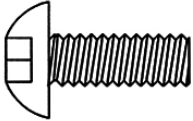
Assembly Manual

140724

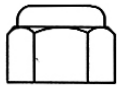




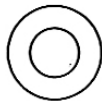
⑱×20



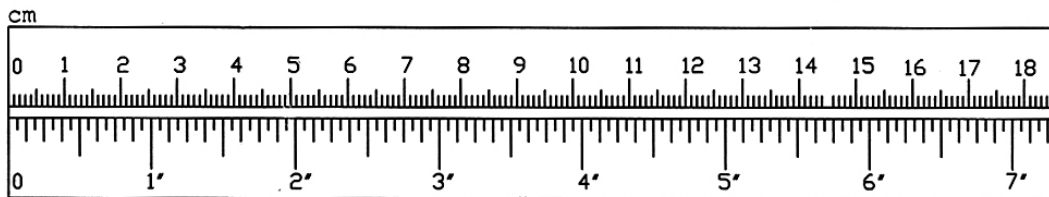
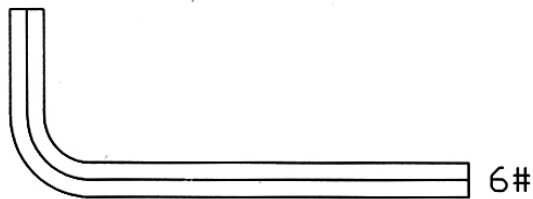
⑲×14

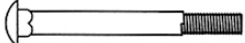




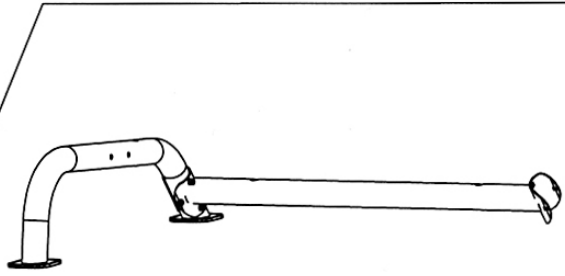
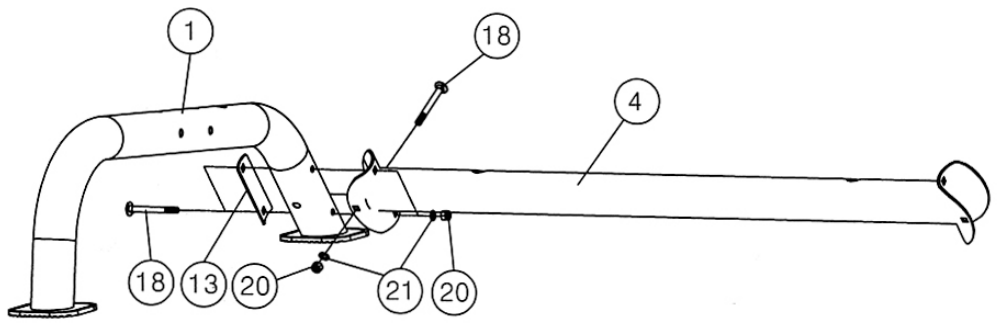
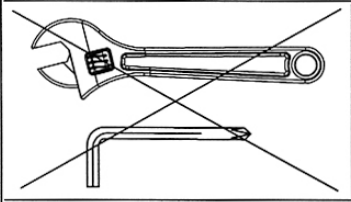
⑳×20



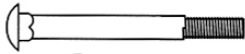


㉑×34

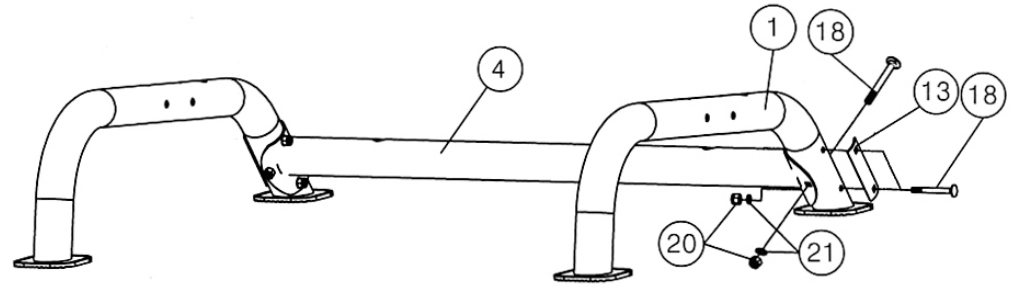
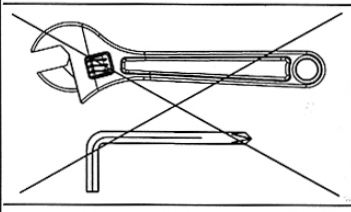


18		M10 x 3 3/4"	3
21		∅ 3/4"	3
20		M10	3

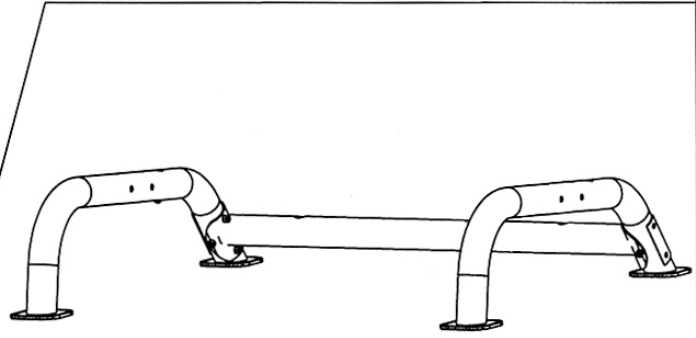


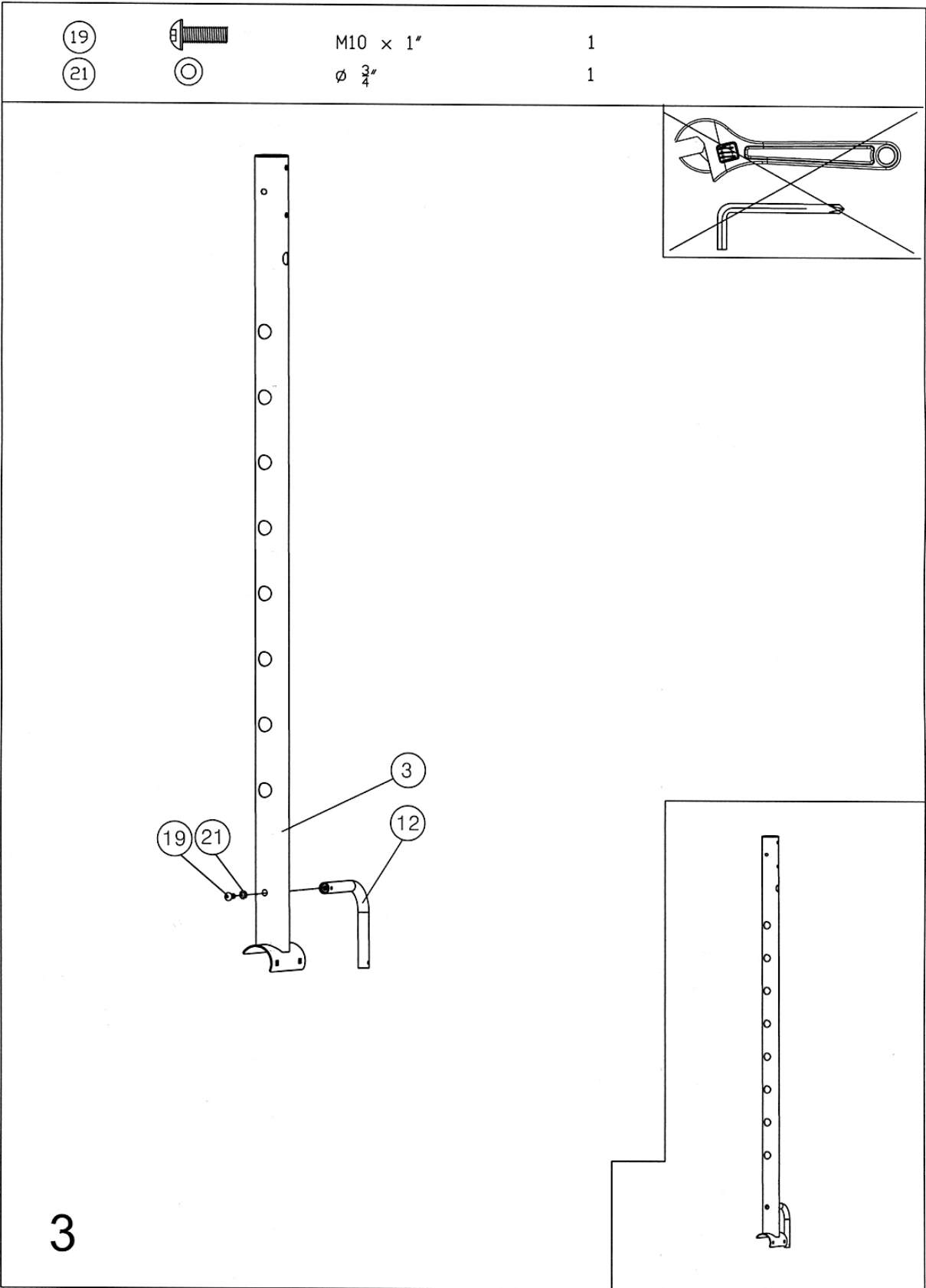
1

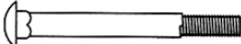



18		M10 x 3 3/4"	3
21		∅ 3/4"	3
20		M10	3

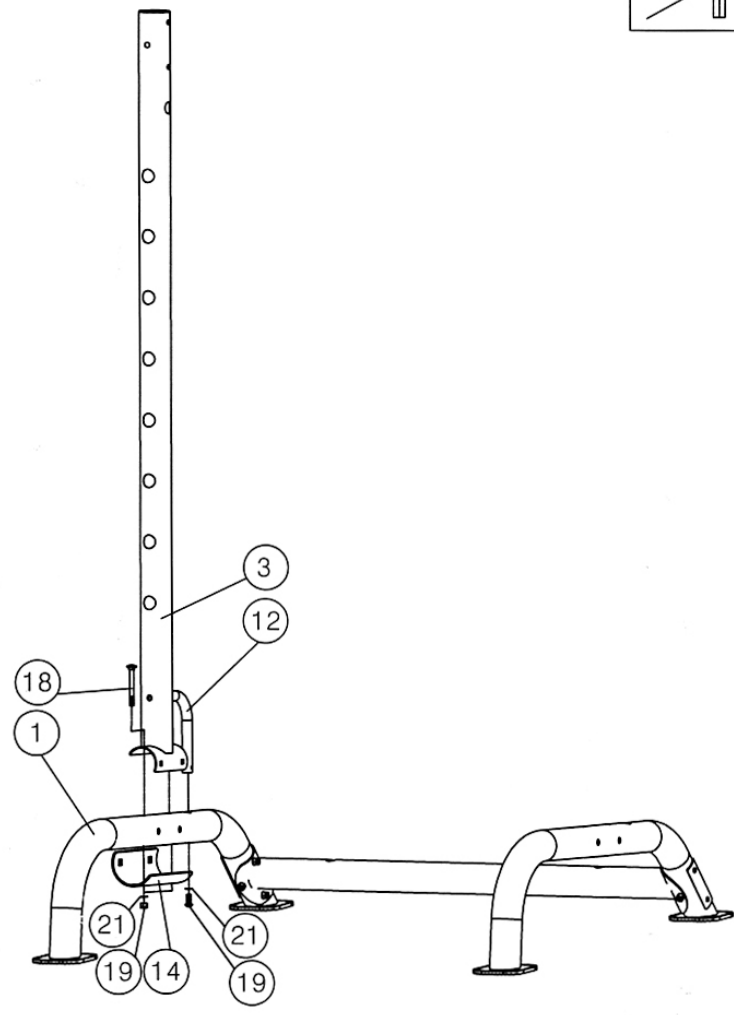
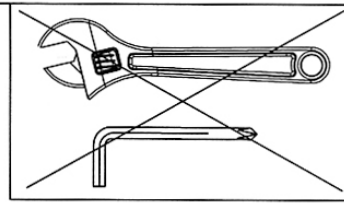


2

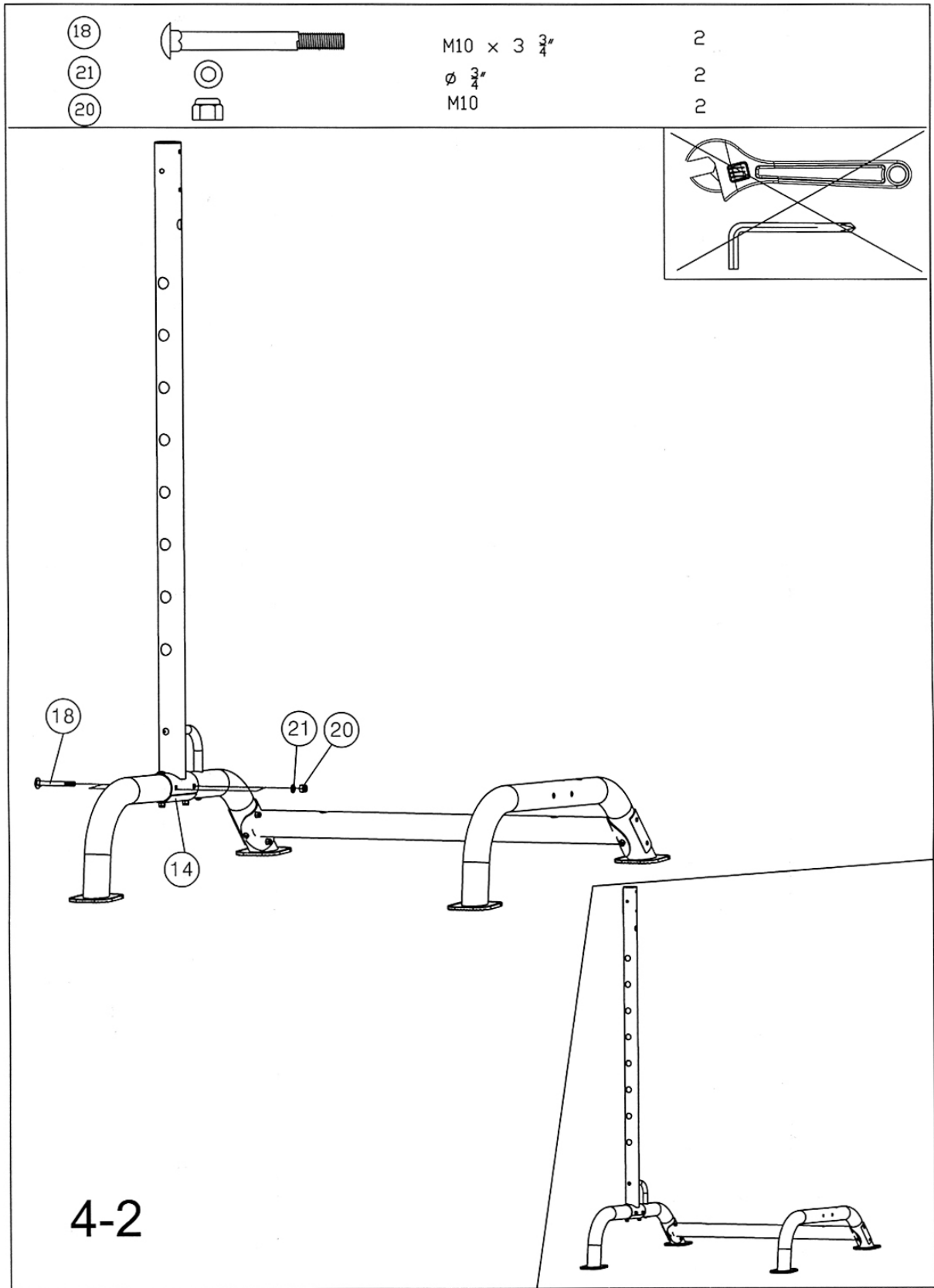


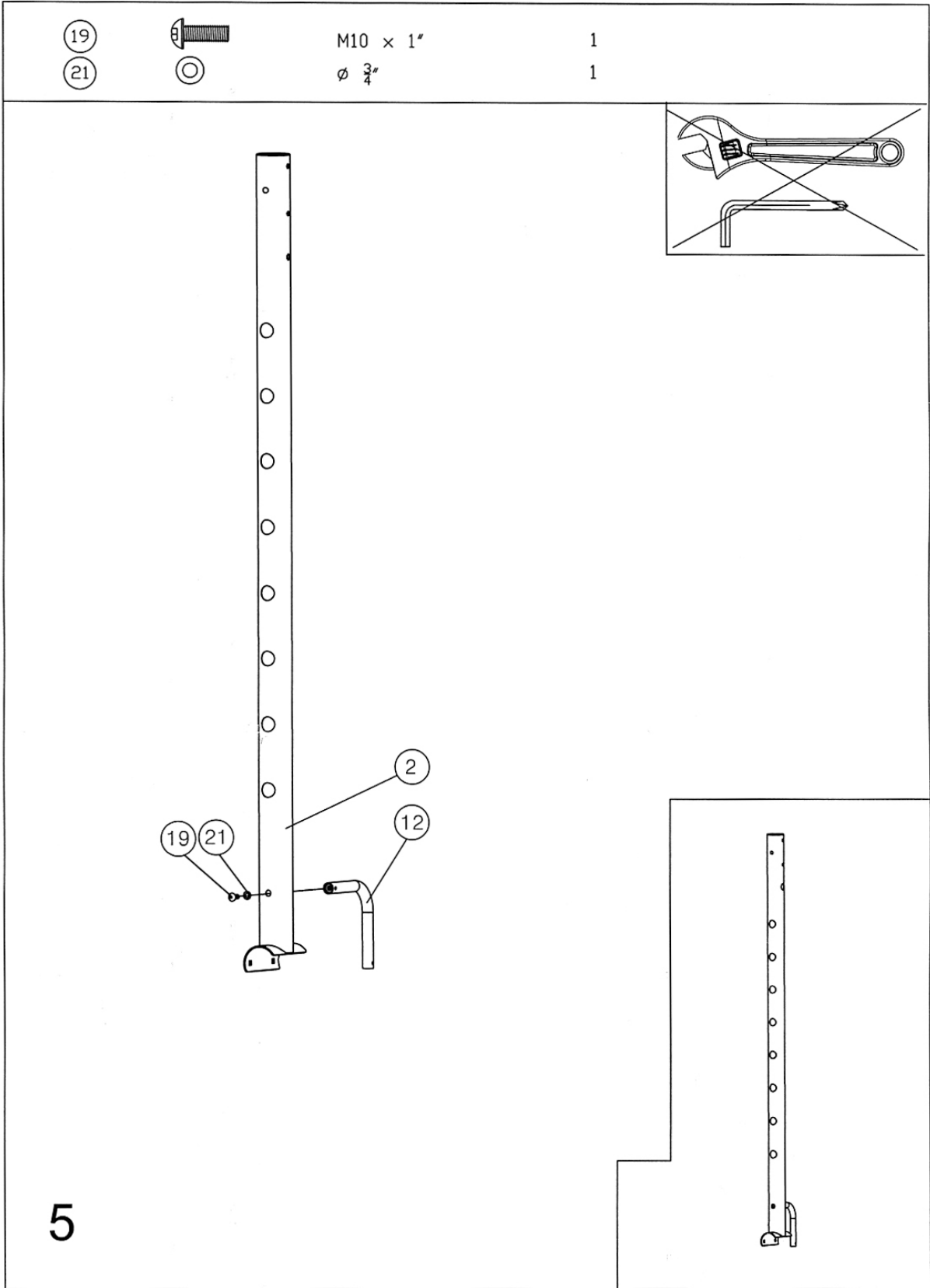


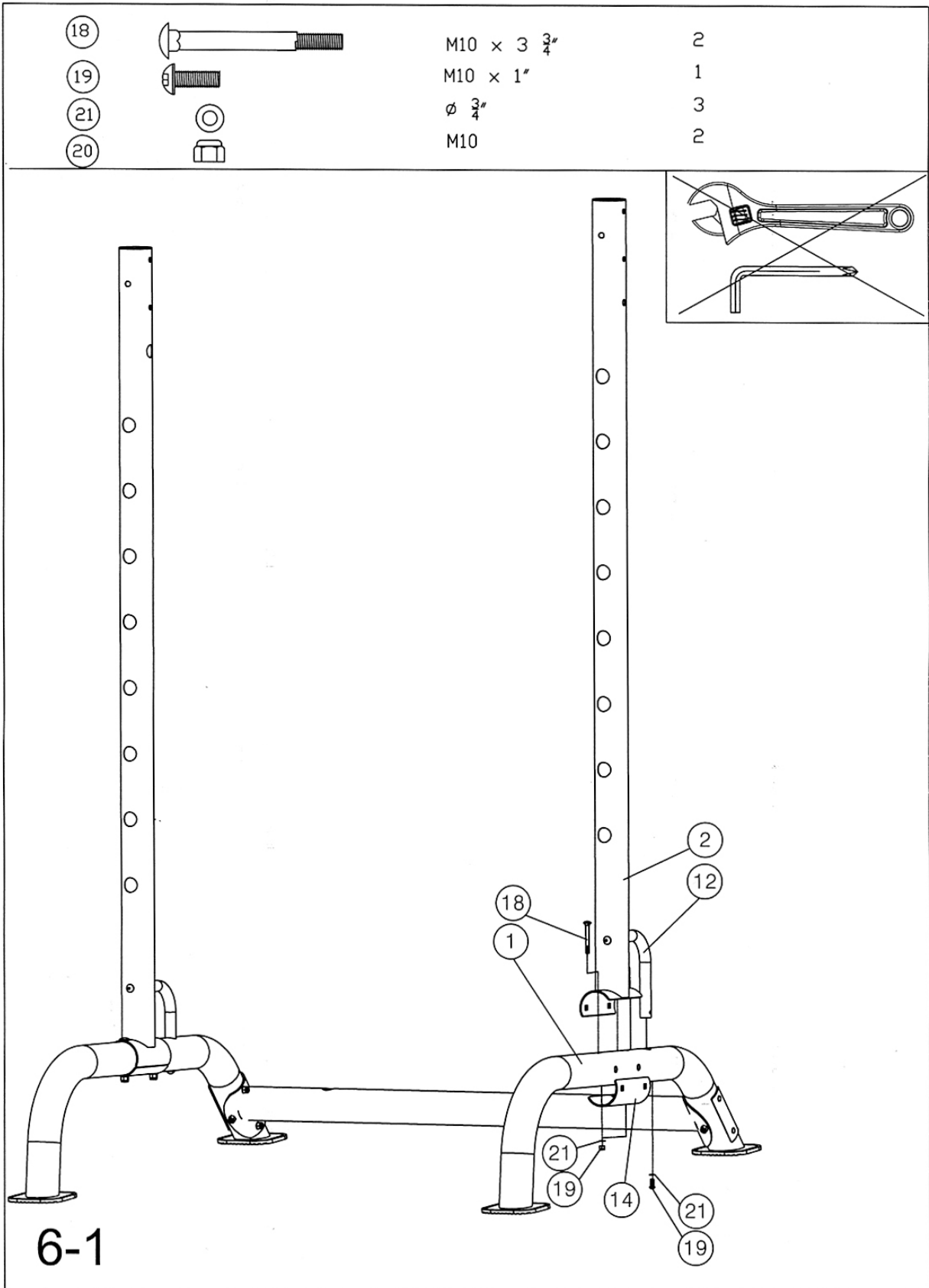
18		M10 × 3/4"	2
19		M10 × 1"	1
21		∅ 3/4"	3
20		M10	2

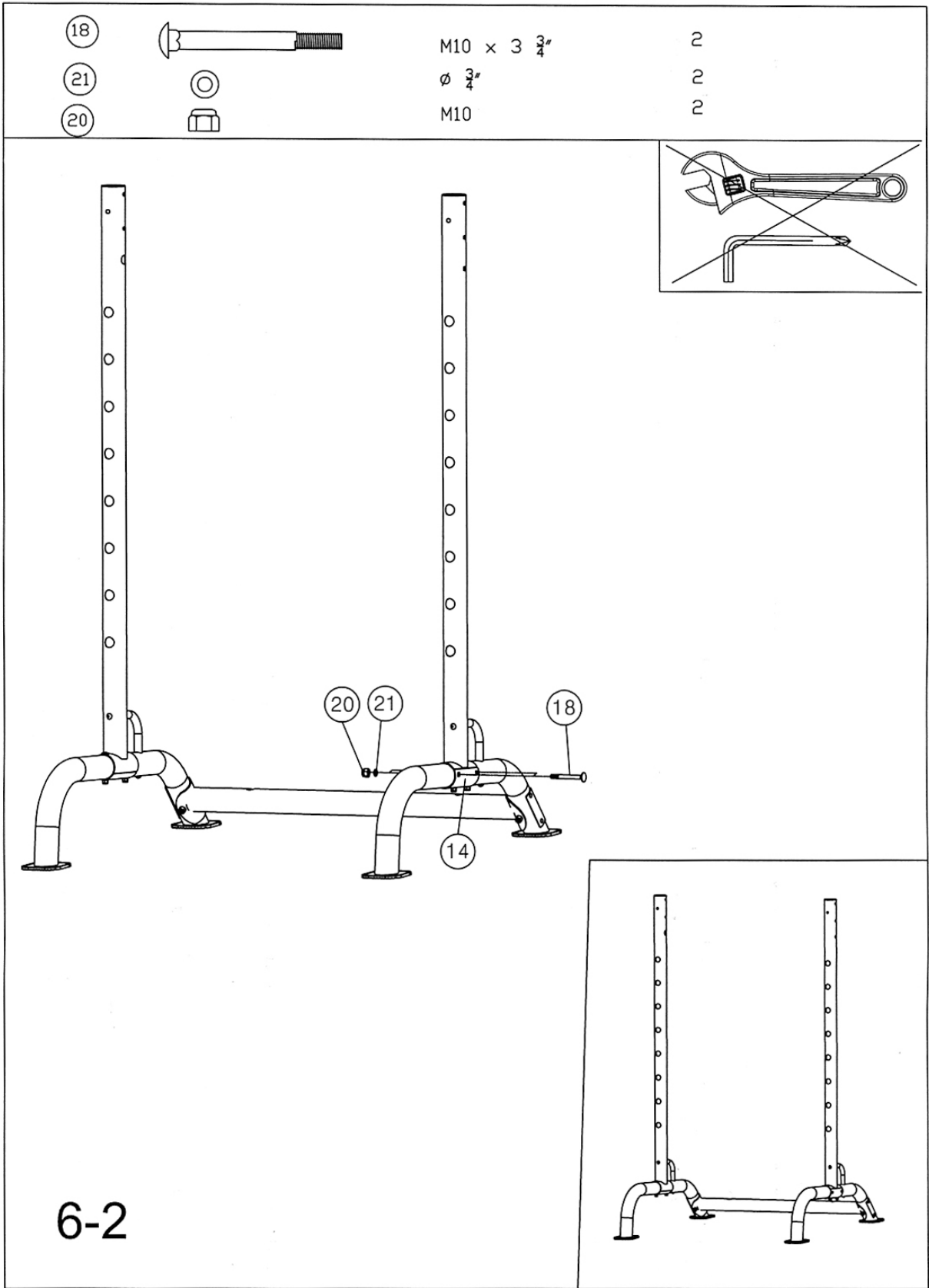


4-1









19



M10 x 1"

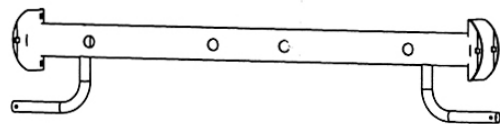
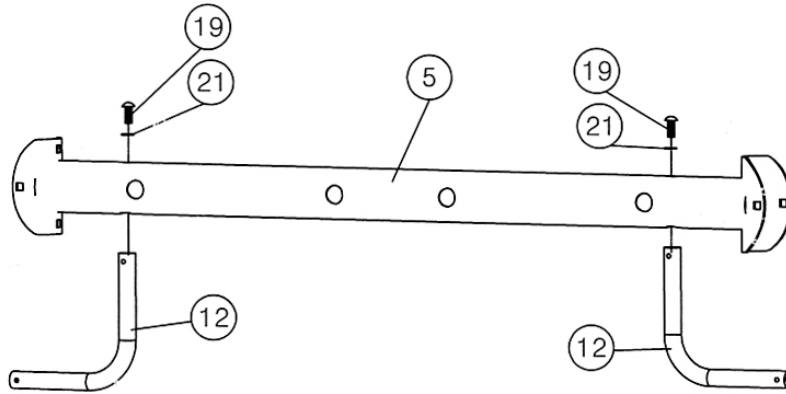
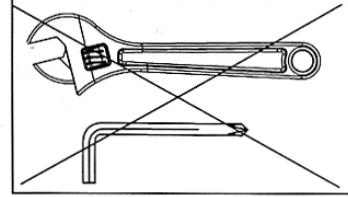
2

21

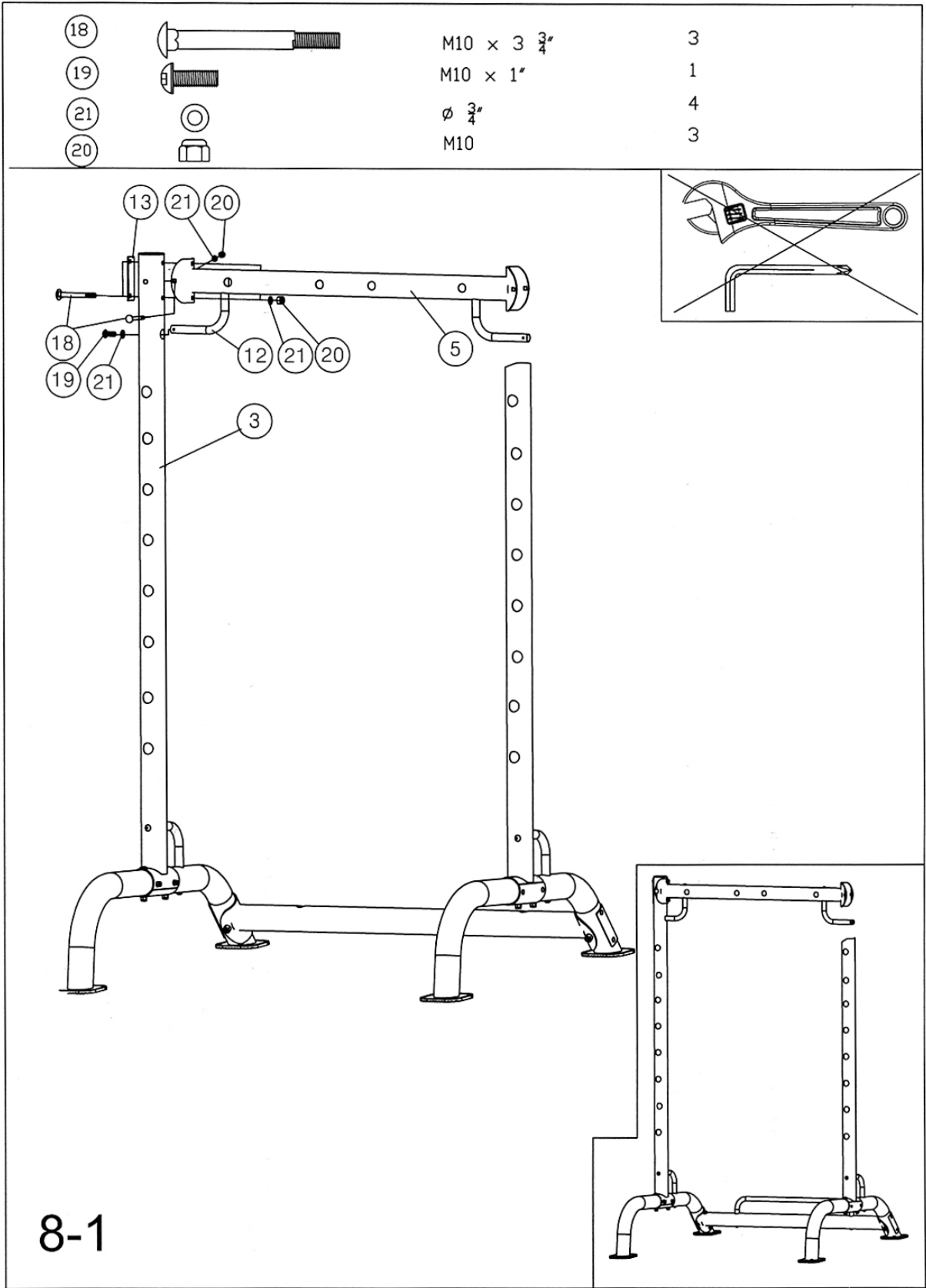


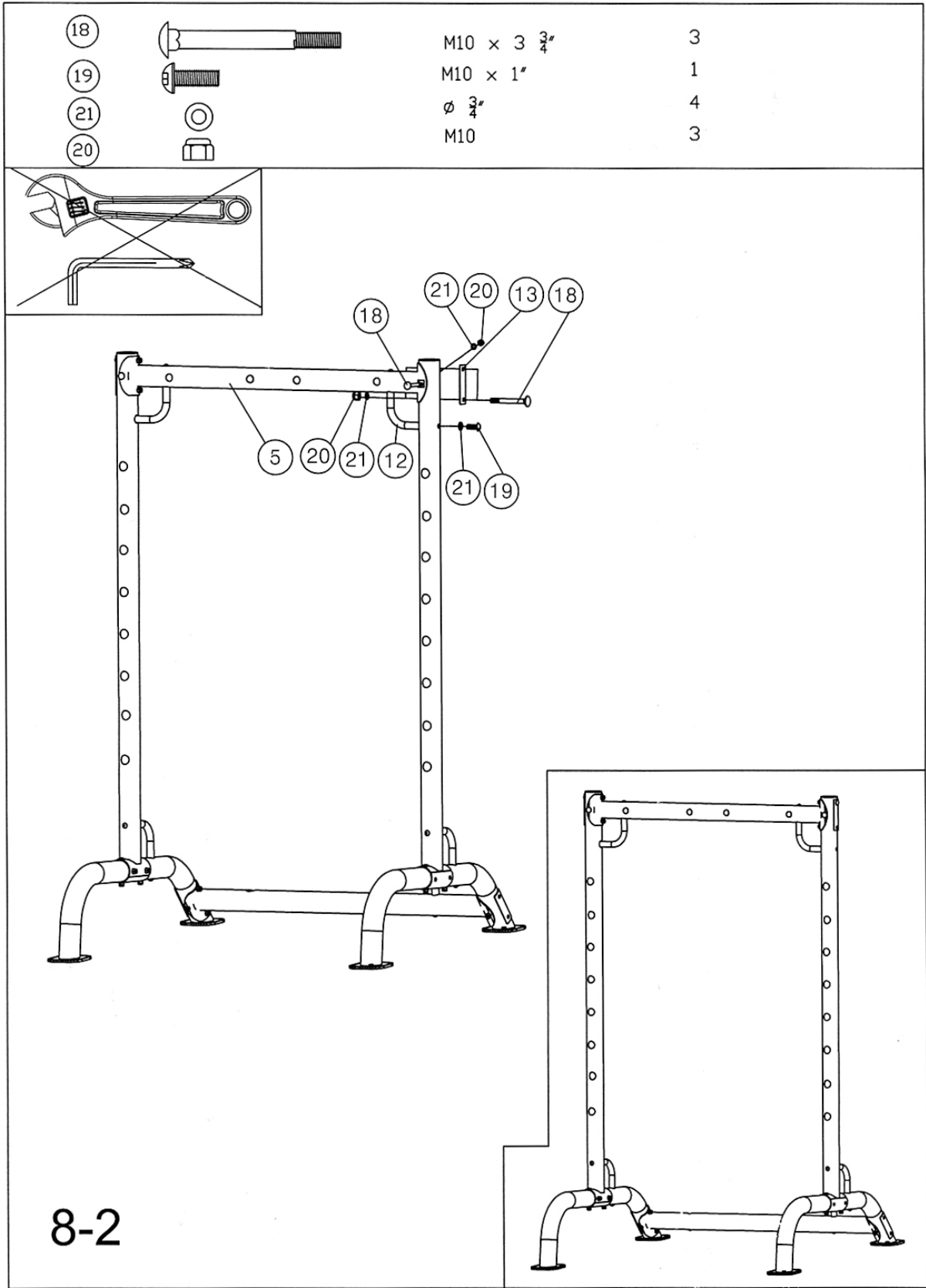
Ø 3/4"

2



7





8-2

19



M10 x 1"

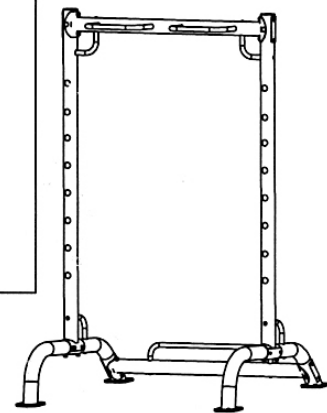
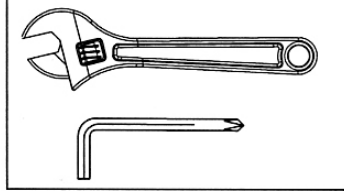
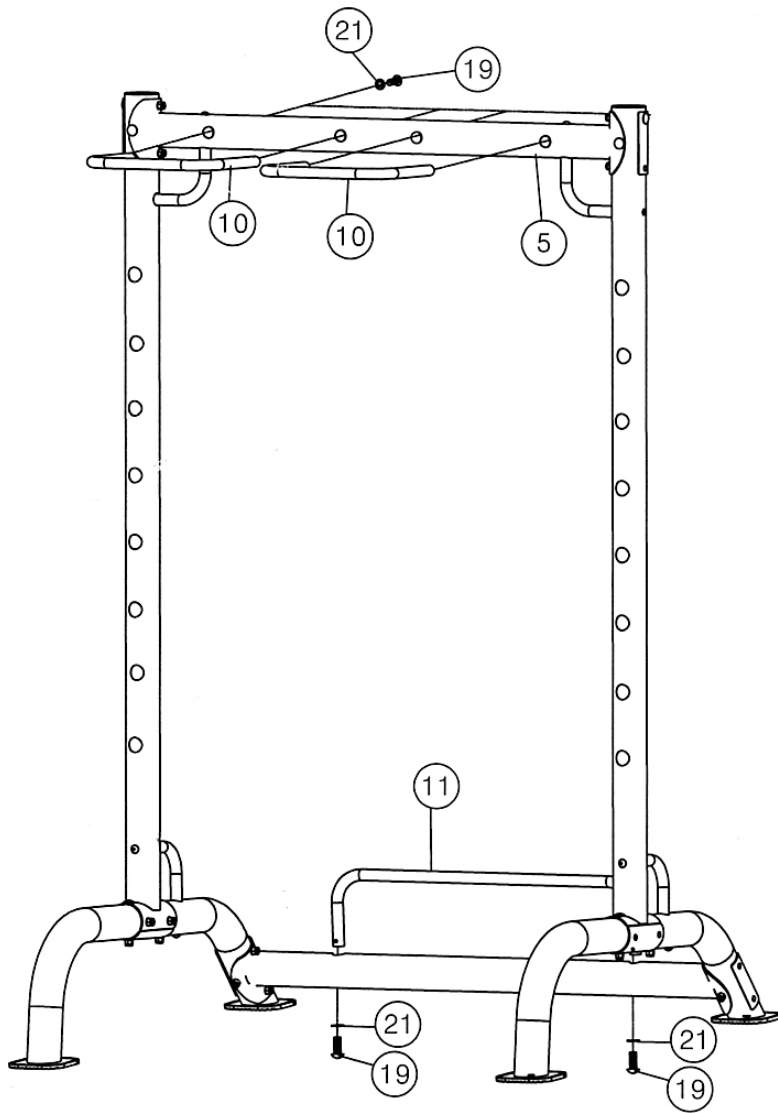
6

21

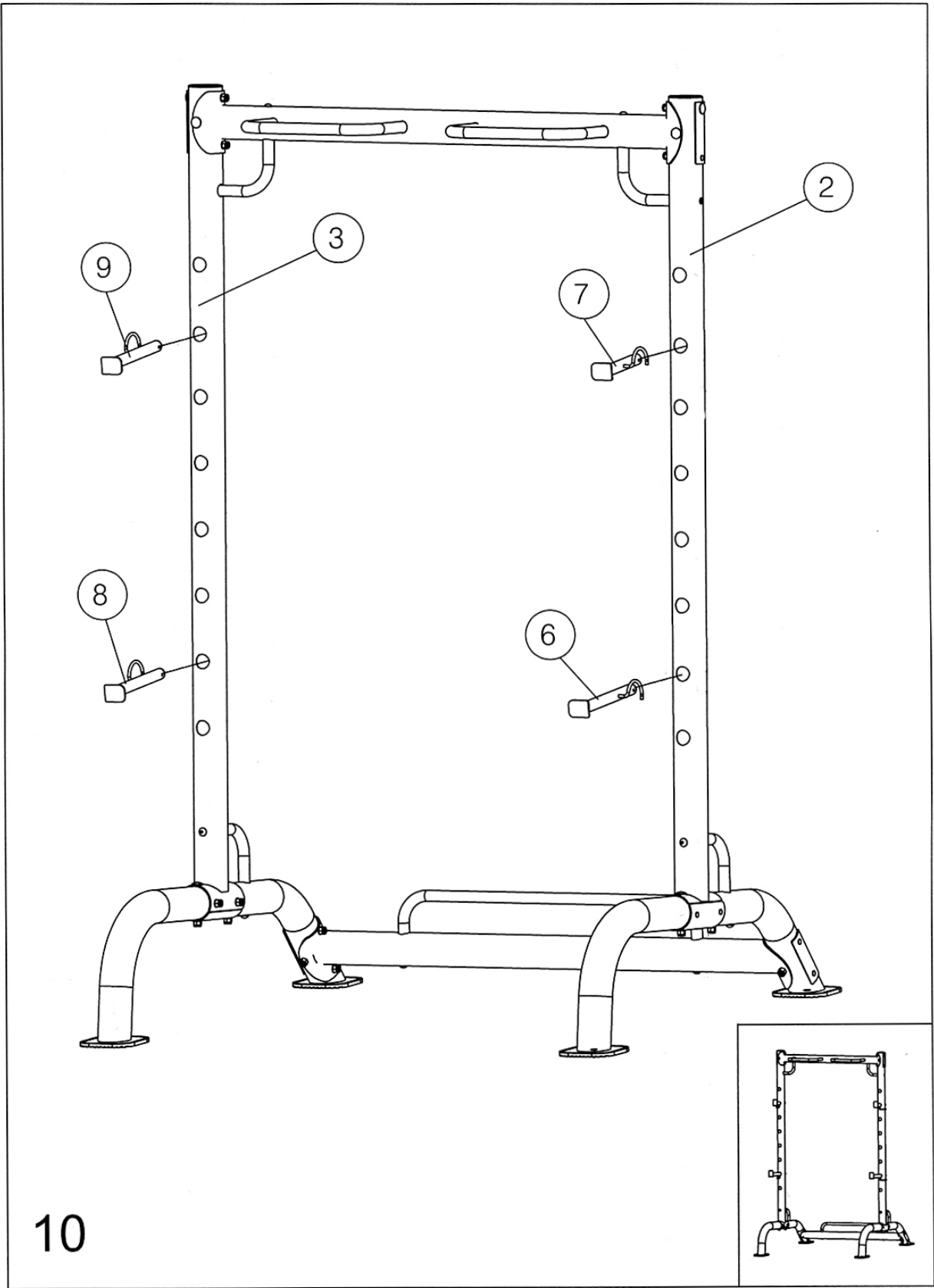


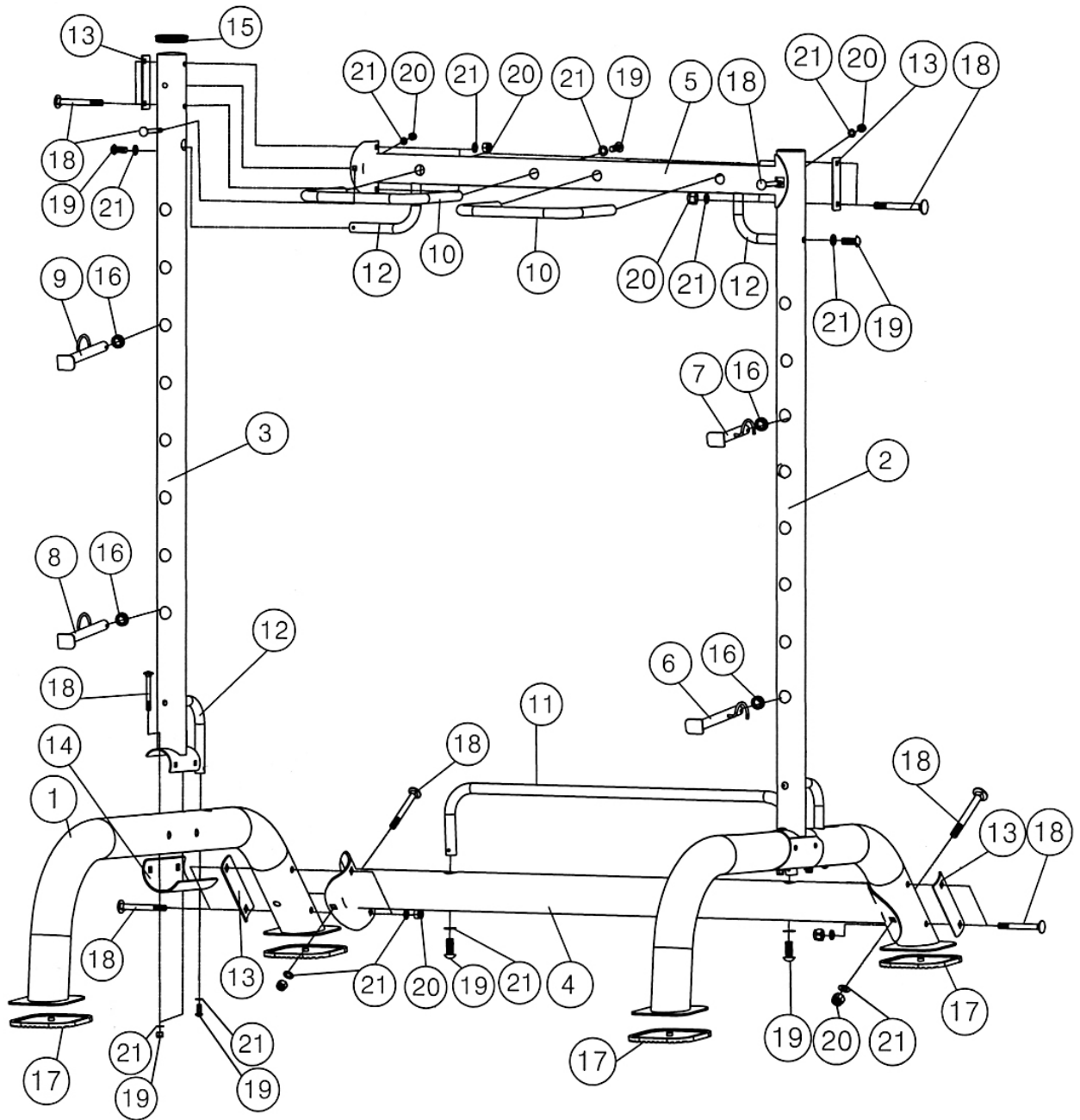
∅ 3/4"

6



9





IMPEX® INC.
 2801 S. Towne Ave, Pomona, CA 91766
 Tel: (800) 999-8899 Fax: (626) 961-9966
www.impex-fitness.com
support@impex-fitness.com